

Frozen Cream Dispenser, 2 bowls with UK plug

ITEM # _____

MODEL # _____

NAME # _____

SIS # _____

AIA # _____


560050 (NINA2UK)

Frozen Cream Dispenser with 2x2 l bowls - UK plug

560051 (NINA2ITNKUK)

Frozen Cream Dispenser with 2x2 l insulated bowls - UK plug

Short Form Specification

Item No. _____

Mini dispenser for cold creams and sherbets with 2 tank of 2lt of finished product each. Small dimension of the tank grants a more frequent renewal of the product inside of it for a higher freshness. Special fire-resistant plastic frame composed of ABS & Polycarbonate, steel side panels. Works with air cooling system. Delivered with UK plug.

Main Features

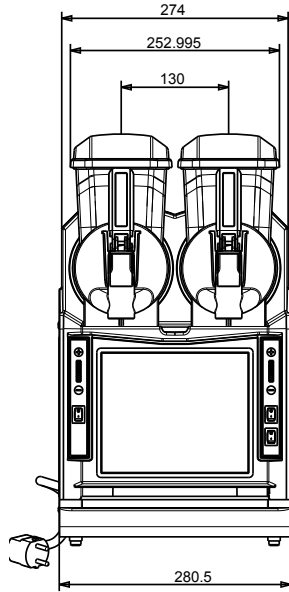
- Mini dispenser for cold creams and sorbet.
- 1 tank of 2lt of finished product.
- Ideal for the operators who have little space available and small sales volumes, it is also perfect for off-season use, when frozen product demand is low.
- Small dimension of the tank grants a more frequent renewal of the product inside of it for a higher freshness.
- Adjustable temperature from -3°C up to -6°C.

Construction

- Special fire-resistant plastic frame composed of ABS & Polycarbonate, steel side panels.
- Works with air cooling system.

APPROVAL: _____

Front


Electric
Supply voltage:

560050 (NINA2UK)	220-240 V/1 ph/50 Hz
560051 (NINA2ITNKUK)	220-240 V/1 ph/50 Hz

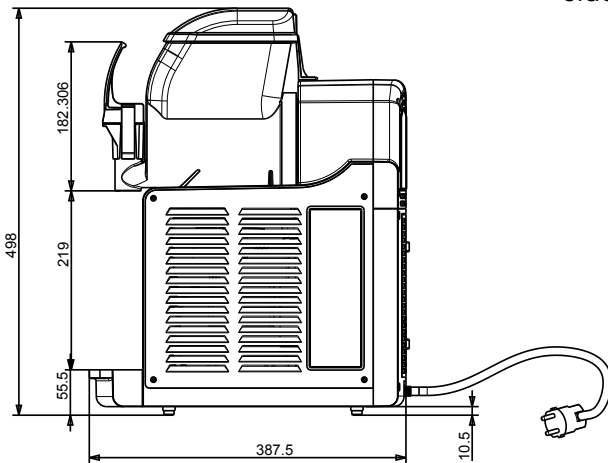
Electrical power max.: 0.5 kW

Key Information:

External dimensions, Width:	281 mm
External dimensions, Depth:	391 mm
External dimensions, Height:	498 mm
Net weight:	26 kg

Refrigeration Data
Refrigerant type: R452A

Side



Top

